

# CITY OF BIXBY

P.O. Box 70  
116 W. Needles Ave.  
BIXBY, OK 74008  
(918) 366-4430  
(918) 366-6373 (fax)

## ADDENDUM NO. 1

February 5, 2021

To: All Bidders

Project: ***Haikey Creek 2019 Flood Damage Rehabilitation Project – Project No. FM29-2001***

Subject: Technical Specifications Updates

---

THIS ADDENDUM IS ISSUED AS A PART OF THE CONTRACT DOCUMENTS FOR THIS PROJECT AND AMENDS ONLY THOSE ITEMS SPECIFICALLY DEFINED HEREIN. THIS ADDENDUM MUST BE ATTACHED TO THE FRONT OF YOUR SET OF BID DOCUMENTS.

---

In preparing bids, the Bidder shall take into consideration the following items. Information shown herein supersedes requirements issued under previous dates.

- ITEM NO. 1      **GENERAL CONDITIONS**  
Termination of Contract for Convenience of City clause – see attached
- ITEM NO. 2      **STORMWATER POLLUTION PREVENTION PLAN**  
The Contractor is required to obtain and pay for a current OKR10 Permit with DEQ for the project.
- ITEM NO. 3      **PIPE JOINTS**  
All storm sewer pipe and box joints shall be wrapped with 12” wide Cadilloc, or equal, external joint sealant. The price shall be included in the unit price for pipe.
- ITEM NO. 4      **STORM SEWER PIPE CONNECTIONS - STRUCTURES**  
All Corrugated Plastic Pipe (CPP) connections to structures shall be installed per the City of Bixby’s CPP Connection Detail (attached).
- ITEM NO. 5      **STORM SEWER PIPE CONNECTIONS - PIPE**  
All Corrugated Plastic Pipe (CPP) connections to reinforced concrete pipe (RCP) shall be installed per the City of Bixby’s CPP Connection Detail (attached).

# CITY OF BIXBY

*P.O. Box 70  
116 W. Needles Ave.  
BIXBY, OK 74008  
(918) 366-4430  
(918) 366-6373 (fax)*

ITEM NO. 6      **STORM SEWER BACKFILL**

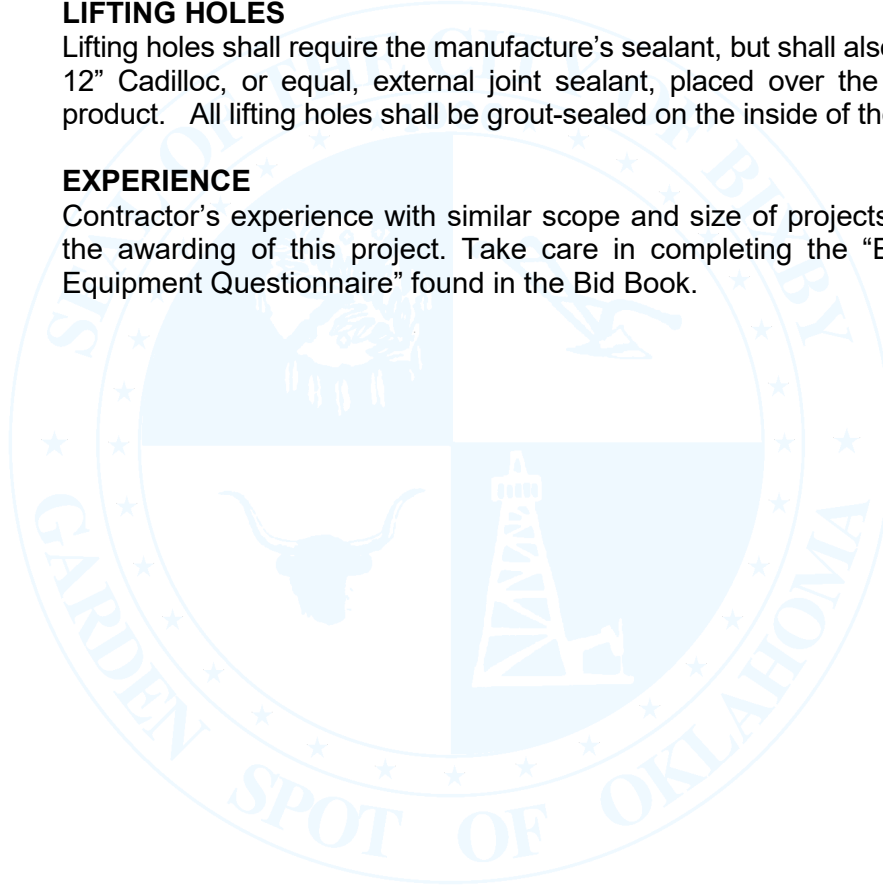
All storm sewer lines shall be bedded and backfilled with aggregate base. Street crossing shall be backfilled to the top of subgrade. All pipe runs with a pipe diameter less than 30" shall be backfilled to 6" above top of pipe. Pipe runs with a pipe diameter equal to or greater than 30" shall be backfilled to the spring line.

ITEM NO. 7      **LIFTING HOLES**

Lifting holes shall require the manufacture's sealant, but shall also have a strip of 12" Cadilloc, or equal, external joint sealant, placed over the manufacturer's product. All lifting holes shall be grout-sealed on the inside of the pipe.

ITEM NO. 8      **EXPERIENCE**

Contractor's experience with similar scope and size of projects will factor into the awarding of this project. Take care in completing the "Experience and Equipment Questionnaire" found in the Bid Book.



## TERMINATION OF CONTRACT FOR CONVENIENCE OF THE CITY

Notwithstanding any provisions or language in this Contract to the contrary, the City may terminate the contract whenever the City determines in Its sole discretion that such termination is in the best interest of the City. Any such termination shall be effected upon delivery (electronic or certified mail) of a written notice of termination to the Contractor.

A. The City shall be responsible for the following costs:

- 1) Work completed and materials delivered up through the date of termination.
- 2) 15% profit for lump sum items for work complete. Profit for unit price items should be include in the as-bid price. No additional payment shall be made for unit price items.
- 3) Demobilization, which shall be taken to be 25% of the Mobilization Bid Item.
- 4) Expectation damages, including anticipated or lost profits are not eligible for compensation.

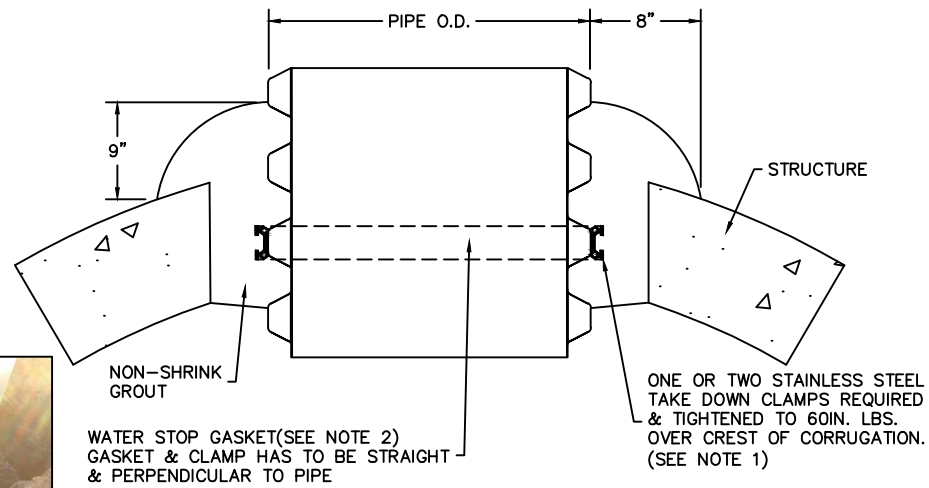
B. Submittals and Procedures

- 1) After receipt of a notice of termination, the Contractor shall immediately proceed with the following obligations.
  - Stop work as specified in the notice;
  - Place no further subcontracts or orders for materials, services, or facilities, except as necessary to complete the continued portion of the Contract;
  - End all subcontracts to the extent they relate to the work terminated; and
  - Settle all outstanding liabilities and termination settlement proposals arising from the termination of the Contract.
- 2) The Contractor shall Transfer title and deliver to the City the following items:
  - Fabricated, partially fabricated, or un-fabricated parts;
  - Work in progress;
  - Completed work;
  - Supplies;
  - Other material produced or acquired for the work terminated; and
  - Completed or partially completed plans, drawings, information, and other property that, if the Contractor had been completed, would be required to be provided to the Department.
- 3) The Contractor is responsible for the following tasks upon notice of termination:
  - Complete performance of the work not terminated;
  - Inventory acceptable materials that the Contractor has obtained for use on the project and has not incorporated into the work in conjunction with the Resident Engineer at a date chosen by the Resident Engineer; and

- Take any action necessary, or that the Resident Engineer may direct, for the protection and preservation of the property related to the Contract that is in the possession of the Contractor and in which the Department has or may acquire an interest.

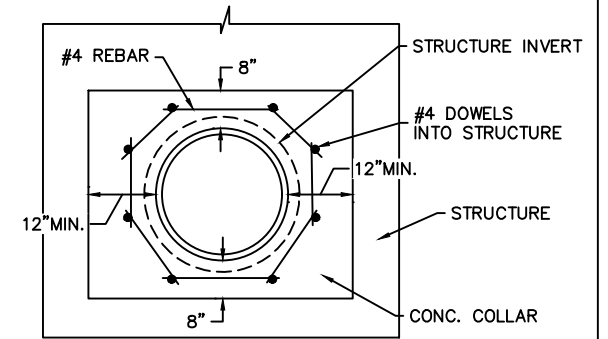
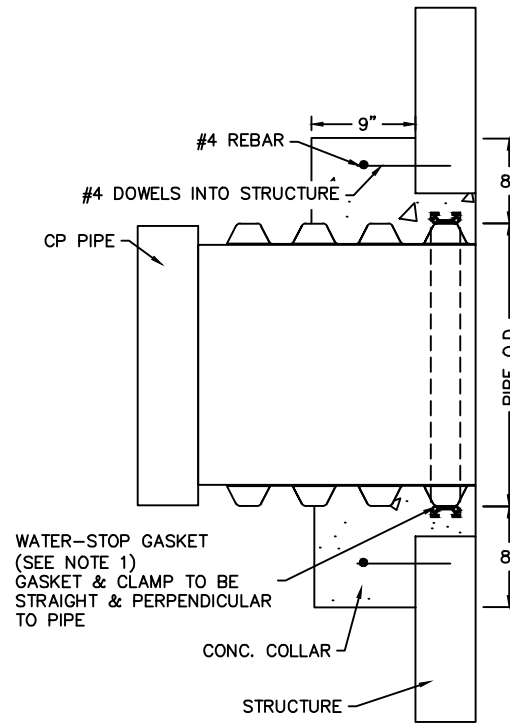
**GENERAL NOTES**

- 1) CORRUGATED PLASTIC PIPE (CPP)=ADS HP PIPE OR PRE-APPROVED EQUAL.
- 2) CPP IS NOT ALLOWED FOR CULVERT APPLICATIONS.
- 3) CPP IS NOT ALLOWED UNDER PAVEMENT.
- 4) AGGREGATE BACKFILL REQUIRED AROUND STRUCTURES.
- 5) 3" MINIMUM COVER FOR ALL REBAR.
- 6) ANGLED CONNECTIONS REQUIRE AN EXTENDED CONCRETE COLLAR TO CREATE CONNECTING SURFACE; SEE DETAIL D, "CONCRETE COLLAR: SKEWED CONNECTION"
- 7) ALL PIPE SHALL BE INSTALLED PER THE CITY'S "STANDARD STORM PIPE BEDDING DETAIL".



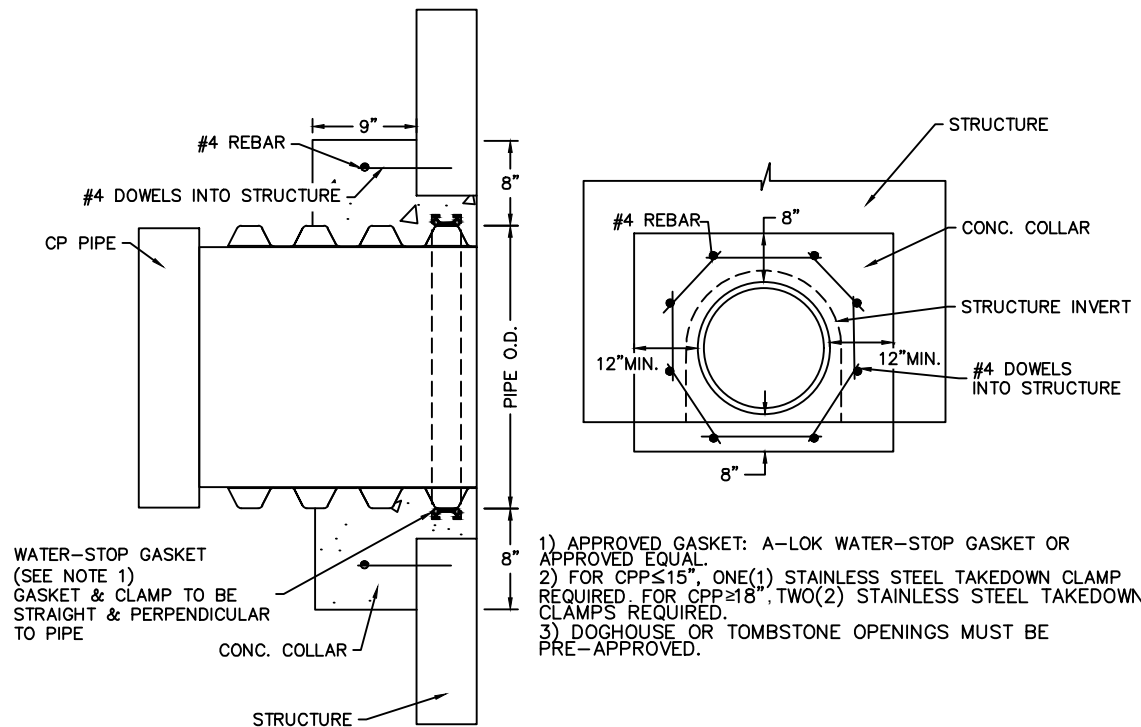
- 1) FOR CPP ≤ 15", ONE(1) STAINLESS STEEL TAKEDOWN CLAMP REQUIRED FOR CPP ≥ 18", TWO(2) STAINLESS STEEL TAKEDOWN CLAMPS REQUIRED.
- 2) APPROVED GASKET: A-LOK WATER-STOP GASKET, OR APPROVED EQUAL.
- 3) GROUTED APPLICATION APPLIES TO A ROUND OPENING THAT IS NOT MORE THAN 6" LARGER THAN THE PROPOSED PIPE O.D.

**A** GROUTED CONNECTION: STRUCTURE OPENING (D) ≤ PIPE OD+6"



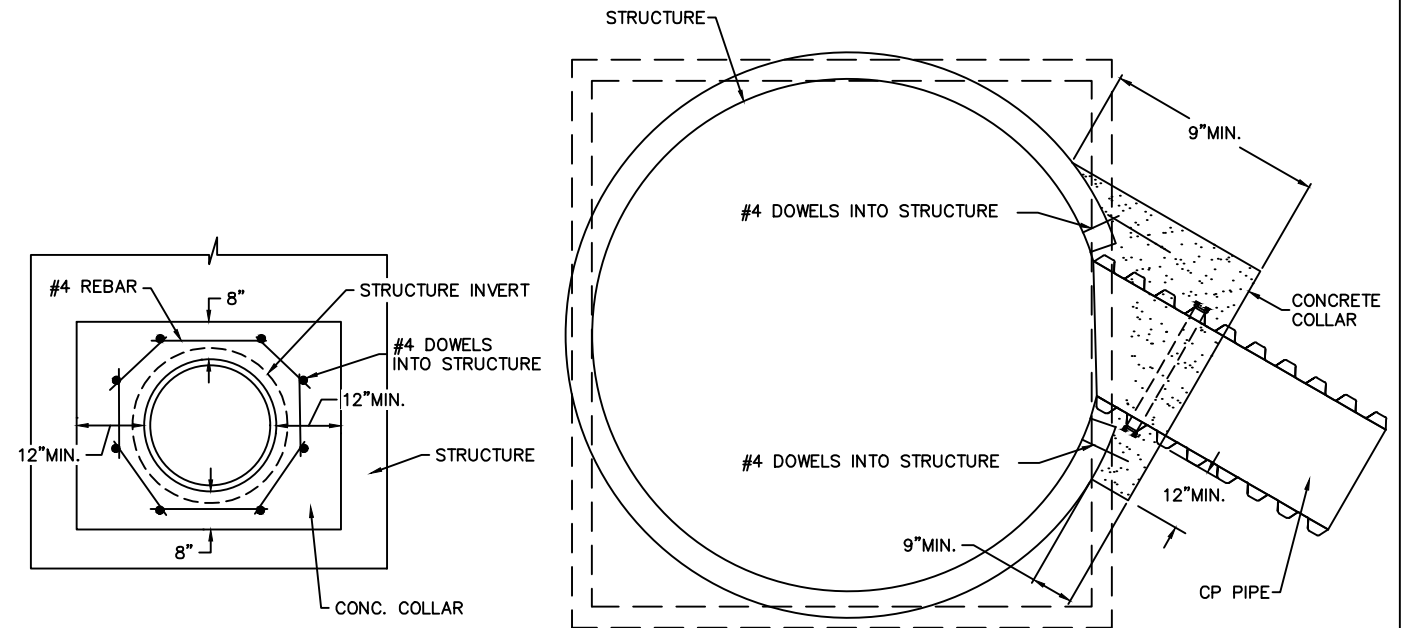
- 1) APPROVED GASKET: A-LOK WATER-STOP GASKET OR APPROVED EQUAL.
- 2) FOR CPP ≤ 15", ONE(1) STAINLESS STEEL TAKEDOWN CLAMP REQUIRED. FOR CPP ≥ 18", TWO(2) STAINLESS STEEL TAKEDOWN CLAMPS REQUIRED.

**B** CONCRETE COLLAR: STRUCTURE OPENING (D) ≥ PIPE OD+6" (CIRCULAR OPENING)



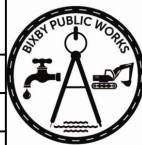
- 1) APPROVED GASKET: A-LOK WATER-STOP GASKET OR APPROVED EQUAL.
- 2) FOR CPP ≤ 15", ONE(1) STAINLESS STEEL TAKEDOWN CLAMP REQUIRED. FOR CPP ≥ 18", TWO(2) STAINLESS STEEL TAKEDOWN CLAMPS REQUIRED.
- 3) DOGHOUSE OR TOMBSTONE OPENINGS MUST BE PRE-APPROVED.

**C** CONCRETE COLLAR: (NON-CIRCULAR OPENING 90° CONNECTION)



**D** CONCRETE COLLAR: SKEWED CONNECTION "ALL OPENING CONFIGURATIONS"

DATE	REVISIONS



CITY OF BIXBY, OKLAHOMA  
ENGINEERING DEPARTMENT

**CPP CONNECTION DETAILS**

DESIGN	DATE	DRAFTED	DATE
JSD		ACS	
REVIEWED	DATE	APPROVED	DATE
DRAWING NAME: CPP_CONNECTION		SHEET OF 1	



**Environmental Health Services Lab**  
 5051 S. 129th E. Ave. Tulsa, OK 74134  
 918-595-4200

Page \_\_\_\_ of \_\_\_\_  
 Paid \_\_\_\_\_

ID:	County:	Bill to:
Results to:		Bill to address:
Results to address:		
		Bill to phone:
Results to phone:		Bill to fax:
Results to fax:		Bill to e-mail:
Results to e-mail:		Attention:
Attention:		PO:
Project/sampled for:		(circle ↓)
Sampled by:		FREE

ANALYSES										
ANALYSES										

Copy for...
Micro <input type="checkbox"/>
Chem <input type="checkbox"/>
Lab-assigned Sample ID#

Collection site address or location code	Grab Time (or *Composite Start)		(*Composite End)		TOTAL	#Containers	SampleType	(1)	(2)	(3)	(4)	(5)	(6)	(7)	(8)	(9)	(10)		
	Date	Time	Date	Time	Chlorine														
1)																			
2)																			
3)																			
4)																			
5)																			
6)																			
7)																			
8)																			
9)																			
10)																			

Sample Types: DW=Drinking Water WW=Waste Water GW=Ground Water SL=Sludge SO=Soil LT=Line Test O=Other

Transfers	Relinquished by	Date	Time	Received by
1				
2				
3				

Remarks \_\_\_\_\_  
 \_\_\_\_\_  
 \_\_\_\_\_  
 \_\_\_\_\_

Composite start/end times refer only to autosampler composited samples; fill out Grab Time for all else